

UL/cUL SYSTEM NO. HW-D-0538

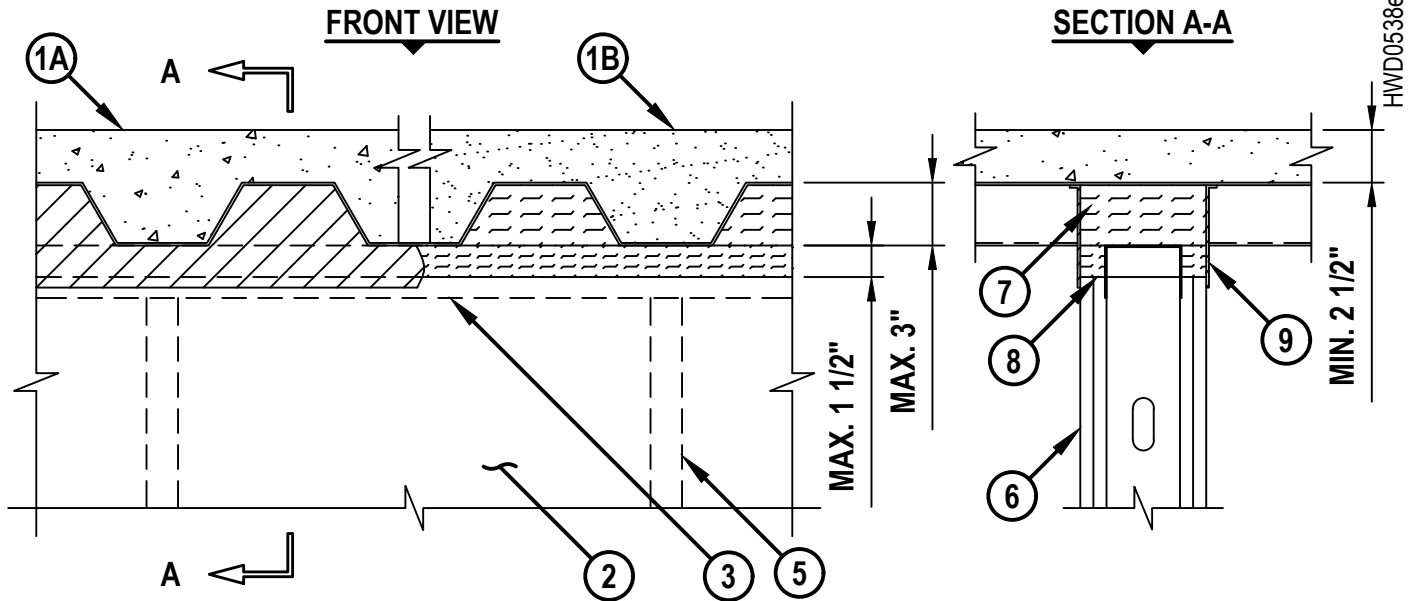
TOP OF WALL JOINT : GYPSUM WALL ASSEMBLY

ASSEMBLY RATING = 1-HR. OR 2-HR.

CLASS II MOVEMENT CAPABILITIES - 50% COMPRESSION OR EXTENSION

L-RATING AT AMBIENT = LESS THAN 1 CFM / SQ FT

L-RATING AT 400°F = LESS THAN 1 CFM / SQ FT



1. FLOOR OR ROOF ASSEMBLY (1-HR. OR 2-HR. FIRE-RATING) :

- A. LIGHTWEIGHT OR NORMAL WEIGHT CONCRETE FLOOR (MIN. 2-1/2" THICK) OVER METAL DECKING (UL/cUL CLASSIFIED D700 OR D900 SERIES).
- B. INSULATING CONCRETE (MIN. 2-1/4" THICK) OVER METAL DECKING (UL/cUL CLASSIFIED P900 SERIES).
- C. [NOT SHOWN] FLUTED STEEL ROOF DECK WITH SPRAY-APPLIED FIREPROOFING (UL/cUL CLASSIFIED P700 SERIES).

HILTI
Hilti Firestop Systems

HILTI, Inc.
Plano, Texas USA (800) 879-8000

Sheet	1 of 2
Scale	7/64" = 1"
Date	Mar. 7, 2018

Drawing No.
**HWD
0538e**

Saving Lives through Innovation and Education

TOP OF WALL JOINT : GYPSUM WALL ASSEMBLY

ASSEMBLY RATING = 1-HR. OR 2-HR.

CLASS II MOVEMENT CAPABILITIES - 50% COMPRESSION OR EXTENSION

L-RATING AT AMBIENT = LESS THAN 1 CFM / SQ FT

L-RATING AT 400°F = LESS THAN 1 CFM / SQ FT

HWD0538e.030718

2. GYPSUM WALL ASSEMBLY (UL/cUL CLASSIFIED U400 OR V400 SERIES) (1-HR. OR 2-HR. FIRE-RATING).
3. CEILING RUNNER (MIN. 25 GA., FLANGE HEIGHT OF CEILING RUNNER SHALL BE MINIMUM 1/4" GREATER THAN MAXIMUM EXTENDED JOINT WIDTH) FASTENED TO UNDERSIDE OF DECK WITH STEEL MASONRY ANCHORS, STEEL FASTENERS, OR WELDS (SPACED MAX. 24" O.C.) (SEE NOTE NO. 4 BELOW).
4. [OPTIONAL - NOT SHOWN] WHEN SPRAY-APPLIED FIREPROOFING IS USED, CEILING RUNNER MAY BE SECURED TO DECK WITH Z-SHAPED CLIPS (MIN. 20 GA.) WITH THE FOLLOWING DIMENSIONS : MINIMUM 1" LONG, BUT NOT EXCEEDING THE WIDTH OF THE WALL, BY 1-1/2" OR 2" LONG UPPER AND LOWER LEGS. SUPPORT CLIPS SPACED MAXIMUM 16" OC.
5. STEEL STUDS (MINIMUM 3-1/2" WIDE), CUT 1-1/4" TO 1-1/2" LESS IN LENGTH THAN ASSEMBLY HEIGHT, NESTING IN CEILING RUNNER WITHOUT ATTACHMENT.
6. 5/8" OR 1-1/4" THICKNESS GYPSUM WALLBOARD AS SPECIFIED IN THE INDIVIDUAL UL DESIGN. TOP ROW OF SCREWS SHALL BE INSTALLED INTO STUDS 1" TO 1-1/2" BELOW THE BOTTOM OF THE CEILING RUNNER.
7. HILTI CP 777 SPEED PLUGS FRICTION FITTED TO COMPLETELY FILL FLUTE, FLUSH WITH BOTH SIDES OF WALL (SEE NOTE NO. 5 BELOW).
8. HILTI CP 767 SPEED STRIPS OR MINERAL WOOL SAFING (MIN. 4 PCF DENSITY) COMPRESSED 50% AND INSERTED INTO JOINT, FLUSH WITH BOTH SIDES OF GYPSUM WALL.
9. MINIMUM 1/8" (WET) THICKNESS HILTI CFS-SP WB FIRESTOP JOINT SPRAY TO COMPLETELY COVER MINERAL WOOL AND TO OVERLAP A MINIMUM 1/2" ONTO GYPSUM WALL AND METAL DECKING ON BOTH SIDES OF GYPSUM WALL ASSEMBLY.

- NOTES :**
1. MAXIMUM WIDTH OF JOINT = 1-1/2".
 2. STEEL FLOOR UNITS MAY BE SPRAYED WITH A MINIMUM 5/16" TO MAXIMUM 1-3/4" THICKNESS OF UL CLASSIFIED MONOKOTE TYPE MK-6/HY (MANUFACTURED BY W.R. GRACE) OR CAFCO TYPE 300 (MANUFACTURED BY ISOLATEK, INT.) FIREPROOFING, PRIOR TO OR AFTER INSTALLATION OF CEILING RUNNERS.
 3. WHEN THE STEEL DECK IS COATED WITH FIREPROOFING, HILTI FIRESTOP JOINT SPRAY SHALL OVERLAP THE WALL A MINIMUM 1/2" AND OVERLAP THE FIREPROOFING A MINIMUM 2" ON BOTH SIDES OF GYPSUM WALL ASSEMBLY.
 4. AS AN ALTERNATE TO CEILING RUNNER IN ITEM NO. 3, SLOTTED CEILING RUNNERS MAY BE USED. CONSULT THE UL FIRE RESISTANCE DIRECTORY FOR APPROVED MANUFACTURERS.
 5. AS AN ALTERNATE TO HILTI CP 777 SPEED PLUGS, MINERAL WOOL SAFING (MIN. 4 PCF DENSITY) COMPRESSED 25% MAY BE USED. ALTERNATELY, MINERAL WOOL SAFING (MIN. 4 PCF DENSITY) CUT TO THE SHAPE OF FLUTE AND NOMINAL 1" LONGER THAN THICKNESS OF WALL, COMPRESSED FROM ENDS (APP. 14%) AND PACKED FLUSH WITH WALL SURFACE.



HILTI, Inc.
Plano, Texas USA (800) 879-8000

Sheet	2 of 2
Scale	-
Date	Mar. 7, 2018

Drawing No.

**HWD
0538e**