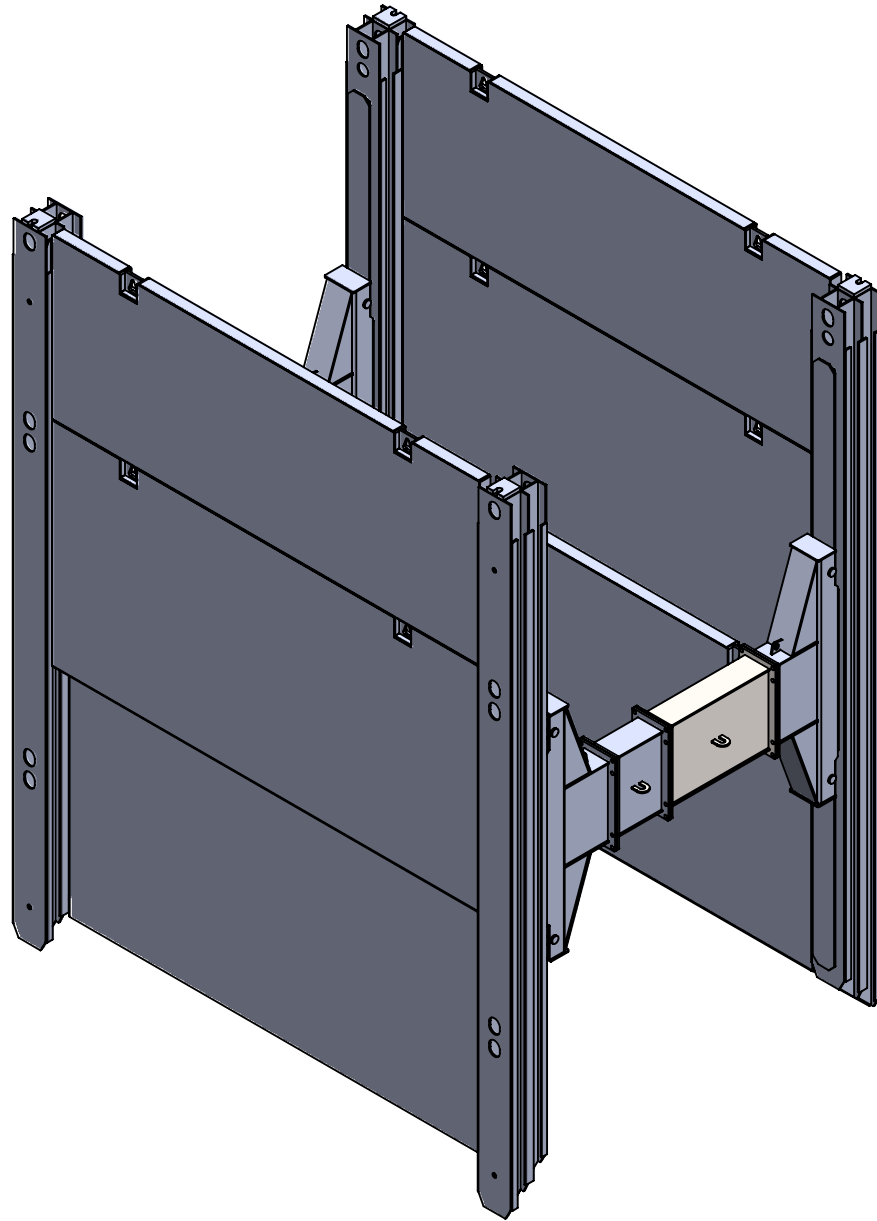


TITLE: DOUBLE SLIDE RAILSHORING SYSTEM 5.8M

PROJ. No.	REF. DRG. NO.	-	
DRAWN	RK	CLIENTS P.O. NO.	
CHECKER	P.P	DRG No.	01 N/A
APPD.(P)	PV	PROJECTION	SCALE SHEET No. REV
APPD.(M)	MJ		1:15 1 OF 1 RO

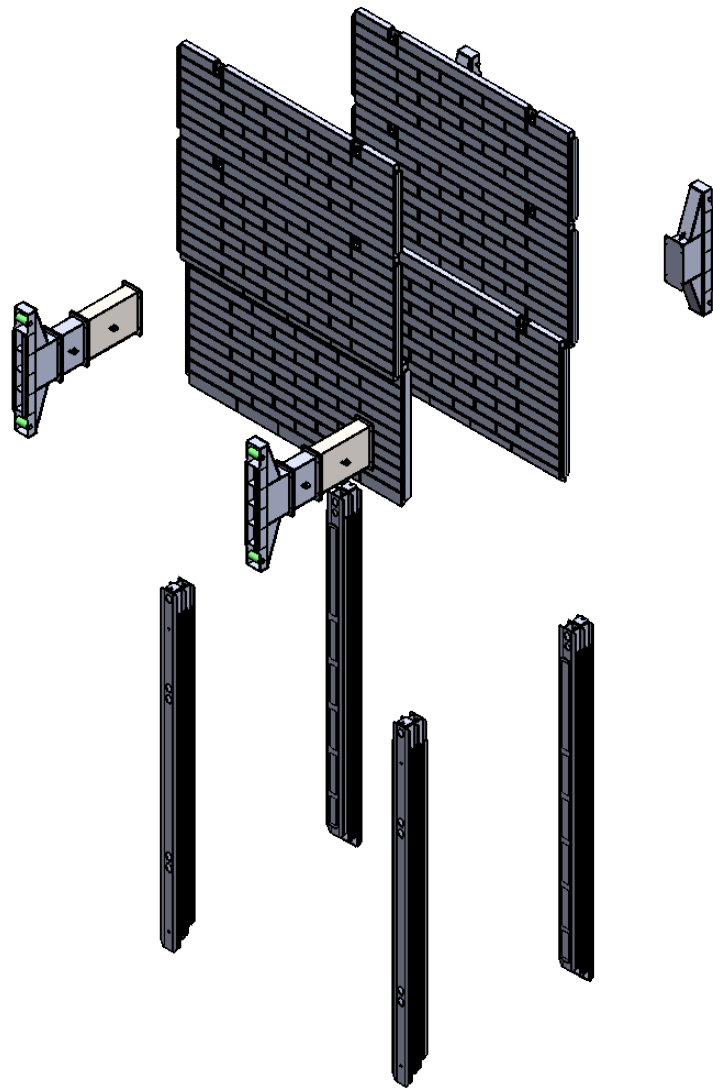
CAD FILE NAME:



TITLE: MANHOLE SHORING BOX

PROJ. No.	REF. DRG NO.	-	
DRAWN	RK	CLIENTS P.O NO.	
CHECKER	P.P	DRG No.	01 N/A
APPD.(P)	PV	PROJECTION	SCALE SHEET No. REV
APPD.(M)	MJ		1:15 1 OF 1 RO

CAD FILE NAME:



HANSA FABRICATION

TITLE:

MANHOLE SHORING BOX

PROJ. No.		REF. DRG NO.		-	
DRAWN	RK	CLIENTS P.O NO.			
CHECKER	P.P	DRG No.	01	N/A	
APPD.(P)	PV	PROJECTION	SCALE	SHEET No.	REV
APPD.(M)	MJ		1:15	1 OF 1	RO

CAD FILE NAME: