

MPN-LI-M8 light-duty galvanized pipe ring

With M8 threaded boss

Features:

- Click-type catch for quick, easy, secure closure
- Easier installation, especially overhead
- Closure without clamping possible for easy pipe adjustment
- Compact clamping tabs permit use of insulating material of minimal thickness
- Pivoting half-ring for easy access
- Clamping screw with combination cross-recess head secured against loss
- Non-slip, prefitted rubber profile inlay
- Swaged clamping band for extra rigidity

Technical data:

Max. recommended static load for suspended pipes:

All sizes: max. $F_{rec} = 1000 \text{ N}$

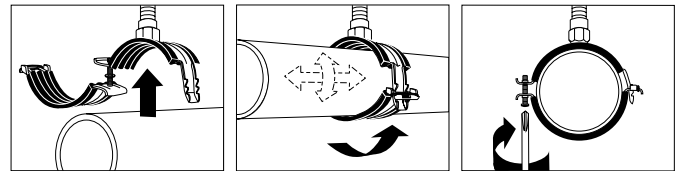
Material: ST 1203 steel as per DIN EN 10130

Rubber profile material: EPDM

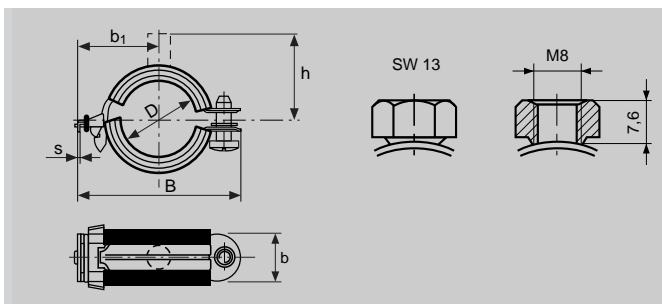
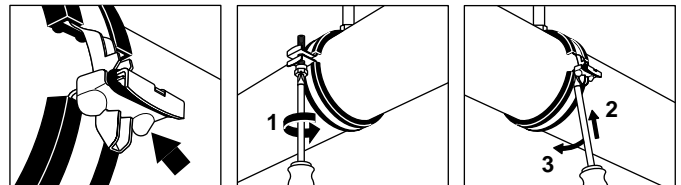
Temperature resistance: -40° C to $+110^\circ \text{ C}$

Hardness: $50^\circ \pm 5^\circ$ Shore A

Noise reduction: $\Delta L = 20 \text{ dB (A)}$



New: Easier opening!



Size [mm/inch]	Clamping range D [mm]	Connection boss wrench size	Dimension B [mm]	b x s	h	b ₁	Package contents	Outer package contents	Ordering designation	Item no.
8/11	8-11	M8-SW13	49	20 x 1.0	23	24	25	200	MPN-LI 8/11 M8	251728/2
1/4"	12-16	M8-SW13	49	20 x 1.0	23	24	25	200	MPN-LI 1/4" M8	251729/0
3/8"	17-20	M8-SW13	53	20 x 1.0	25	26	25	200	MPN-LI 3/8" M8	251730/8
1/2"	21-24	M8-SW13	57	20 x 1.0	23	28	25	150	MPN-LI 1/2" M8	251731/6
3/4"	25-28	M8-SW13	63	20 x 1.0	26	31	25	150	MPN-LI 3/4" M8	251732/4
29/32	29-32	M8-SW13	67	20 x 1.0	28	33	25	150	MPN-LI 29/32 M8	251733/2
1"	33-37	M8-SW13	71	20 x 1.0	30	35	25	100	MPN-LI 1" M8	251734/0
37/41	37-41	M8-SW13	75	20 x 1.0	32	37	25	100	MPN-LI 37/41 M8	251735/7
1 1/4"	42-46	M8-SW13	80	20 x 1.0	35	40	25	100	MPN-LI 1 1/4" M8	251736/5
1 1/2"	47-51	M8-SW13	86	20 x 1.0	38	43	25	150	MPN-LI 1 1/2" M8	251737/3
52/56	52-56	M8-SW13	91	20 x 1.0	40	45	25	150	MPN-LI 52/56 M8	251738/1
2"	57-61	M8-SW13	96	20 x 1.0	43	48	10	100	MPN-LI 2" M8	251739/9



Hilti Corporation
FL-9494 Schaan
Principality of Liechtenstein

www.hilti.com