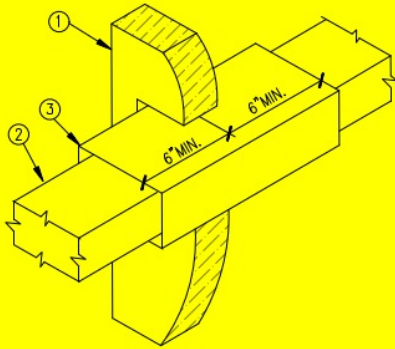
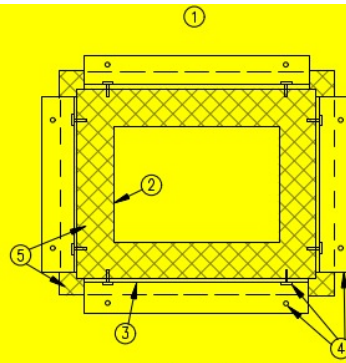


SIDE VIEW



ISOMETRIC VIEW



FRONT VIEW

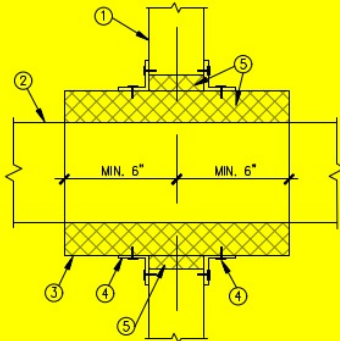
DRAWING KEYNOTES:

- ① INTERIOR PARTITION WITH FIRE RATING.
- ② GALVANIZED STEEL DUCT WITH MINIMUM DUCT WALL THICKNESS 0.0217-INCH AND MAXIMUM CROSS-SECTIONAL AREA 100-SQ IN.
- ③ GALVANIZED STEEL SLEEVE WITH MINIMUM DUCT WALL THICKNESS 0.06-INCH AND MINIMUM LENGTH 12-INCH CENTERED AT WALL PENETRATION.
- ④ GALVANIZED STEEL RETAINING ANGLE (1.5"x1.5"x0.05") SECURED AT ALL FOUR SIDES OF SLEEVE AND BOTH SIDES OF WALL USING #10 OR MS SCREWS.
- ⑤ PROVIDE 1" SPACING BETWEEN SLEEVE AND DUCTWORK TO ALLOW FOR 1" INSULATION TO CONTINUE BETWEEN CONNECTING INSULATED DUCTWORK AND SLEEVE. THE ANNULAR SPACE SHALL BE FILLED WITH 1" THICK MINERAL WOOL BOARD. THERE SHALL BE NO VOID/AIR PASSAGE BETWEEN DUCT AND SLEEVE. INSULATED DUCTWORK SHALL CONNECT TO DUCTWORK IN SLEEVE WITH SMACNA TAPE BETWEEN INSULATED DUCTWORK VAPOR BARRIER AND SHEET METAL SLEEVE FOR NO CONDENSATION.
- ⑥ DUCT PENETRATION DETAIL IS AS PER 2020 FBC-MECHANICAL, 607.1.2 DUCTS THAT PENETRATE FIRE-RESISTANCE-RATED ASSEMBLIES WITHOUT DAMPERS.

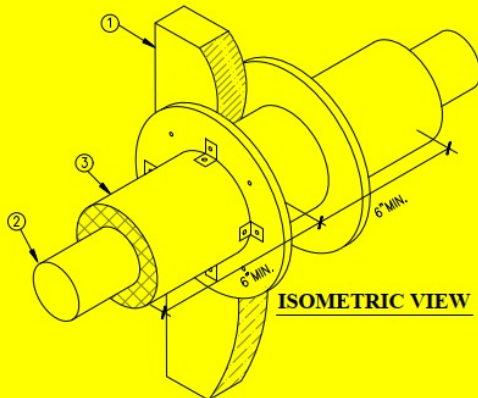
GENERAL NOTE:
ALL DUCTS PENETRATING A FIRE RATED WALL WITHOUT A FIRE DAMPER TO BE INSTALLED IN ACCORDANCE WITH FLORIDA BUILDING CODE BUILDING 2017 SECTION 714 AND 717 AND FLORIDA BUILDING CODE MECHANICAL SECTION 607.

DUCT PENETRATION WITHOUT FIRE DAMPER

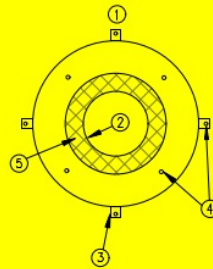
N.T.S.



SIDE VIEW



ISOMETRIC VIEW



FRONT VIEW

DRAWING KEYNOTES:

- ① INTERIOR PARTITION WITH FIRE RATING.
- ② GALVANIZED STEEL DUCT WITH MINIMUM DUCT WALL THICKNESS 0.0217-INCH AND MAXIMUM CROSS-SECTIONAL AREA 100-SQ IN.
- ③ GALVANIZED STEEL SLEEVE WITH MINIMUM DUCT WALL THICKNESS 0.06-INCH AND MINIMUM LENGTH 12-INCH CENTERED AT WALL PENETRATION.
- ④ GALVANIZED STEEL RETAINING RING (1.5"x0.05") SECURED AT MINIMUM FOUR POINTS OF SLEEVE AND BOTH SIDES OF WALL USING #10 OR MS SCREWS.
- ⑤ PROVIDE 1" SPACING BETWEEN SLEEVE AND DUCTWORK TO ALLOW FOR 1" INSULATION TO CONTINUE BETWEEN CONNECTING INSULATED DUCTWORK AND SLEEVE. THE ANNULAR SPACE SHALL BE FILLED WITH 1" THICK MINERAL WOOL BOARD. THERE SHALL BE NO VOID/AIR PASSAGE BETWEEN DUCT AND SLEEVE. INSULATED DUCTWORK SHALL CONNECT TO DUCTWORK IN SLEEVE WITH SMACNA TAPE BETWEEN INSULATED DUCTWORK VAPOR BARRIER AND SHEET METAL SLEEVE FOR NO CONDENSATION.

GENERAL NOTE:
ALL DUCTS PENETRATING A FIRE RATED WALL WITHOUT A FIRE DAMPER TO BE INSTALLED IN ACCORDANCE WITH FLORIDA BUILDING CODE BUILDING 2017 SECTION 714 AND 717 AND FLORIDA BUILDING CODE MECHANICAL SECTION 607.

DUCT PENETRATION WITHOUT FIRE DAMPER

N.T.S.