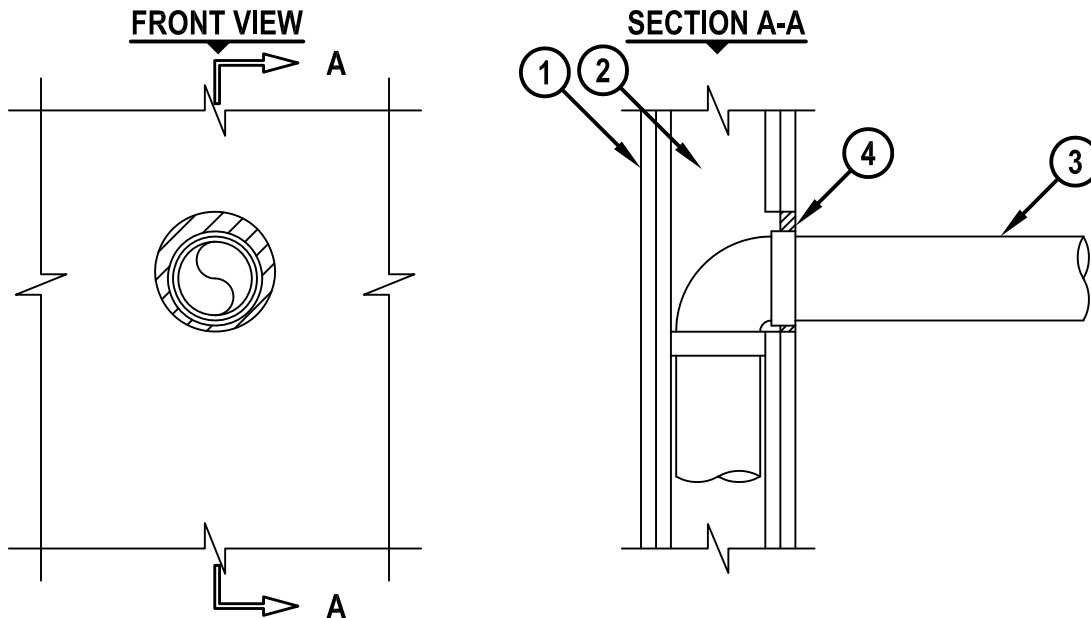


UL/cUL SYSTEM NO. W-L-1410  
**METAL PIPE THROUGH GYPSUM WALL ASSEMBLY**

F-RATING = 1-HR. OR 2-HR.  
 T-RATING = 0-HR.



WL1410e.012415

1. GYPSUM WALL ASSEMBLY (UL/cUL CLASSIFIED U300, U400, V400, OR W400 SERIES) (1-HR. OR 2-HR. FIRE-RATING) (2-HR. SHOWN).
2. [NOT SHOWN] WOOD STUDS TO CONSIST OF NOMINAL 2" x 4" LUMBER (SPACED 16" O/C). STEEL STUDS TO BE MINIMUM 3-1/2" WIDE (SPACED 24" O/C).
3. PENETRATING ITEM TO BE ONE OF THE FOLLOWING :
  - A. MAXIMUM 3" NOMINAL DIAMETER STEEL PIPE (SCHEDULE 5 OR HEAVIER).
  - B. MAXIMUM 3" NOMINAL DIAMETER STEEL CONDUIT OR EMT.
  - C. MAXIMUM 1" NOMINAL DIAMETER COPPER PIPE OR TUBING.
  - D. MAXIMUM 1" NOMINAL DIAMETER FLEXIBLE STEEL CONDUIT.
4. MINIMUM 5/8" DEPTH HILTI FS-ONE MAX OR FS-ONE INTUMESCENT FIRESTOP SEALANT, HILTI CP 606 FLEXIBLE FIRESTOP SEALANT, HILTI CP 601S ELASTOMERIC FIRESTOP SEALANT, HILTI CFS-S SIL GG FIRESTOP SILICONE SEALANT, OR HILTI CP 618 FIRESTOP PUTTY STICK.

**NOTES :** 1. MAXIMUM DIAMETER OF OPENING = 5".  
 2. ANNULAR SPACE = MINIMUM 0", MAXIMUM 1".  
 3. [NOT SHOWN] WHEN ANNULAR SPACE IS 0", APPLY MINIMUM 1/2" BEAD HILTI SEALANT OR PUTTY AT POINT OF CONTACT.



HILTI, Inc.  
 Tulsa, Oklahoma USA (800) 879-8000

Sheet	1 of 1
Scale	1/8" = 1"
Date	Jan. 24, 2015

Drawing No.  
**WL  
 1410e**