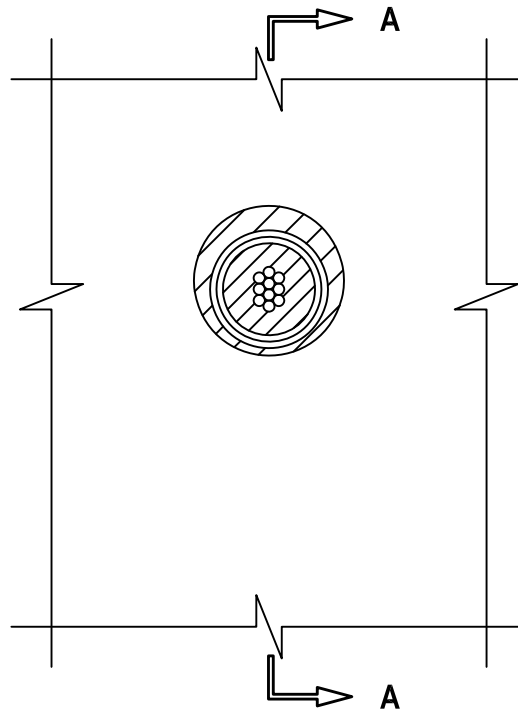


UL/cUL SYSTEM NO. W-L-3320
CABLE BUNDLE THROUGH GYPSUM WALL ASSEMBLY

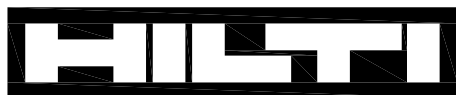
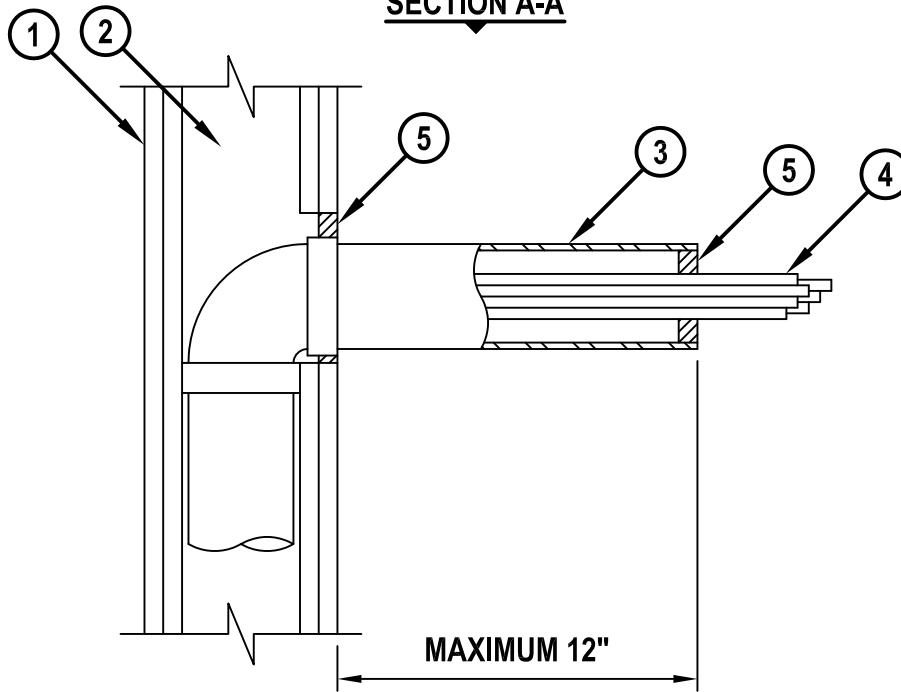
F-RATING = 1-HR. OR 2-HR.
 T-RATING = 0-HR.

WL3320e.011415

FRONT VIEW



SECTION A-A



Hilti Firestop Systems

HILTI, Inc.
 Tulsa, Oklahoma USA (800) 879-8000

Sheet	1 of 2
Scale	5/32" = 1"
Date	Jan. 14, 2015

Drawing No.

**WL
 3320e**

Saving Lives through Innovation and Education

CABLE BUNDLE THROUGH GYPSUM WALL ASSEMBLY

F-RATING = 1-HR. OR 2-HR.

T-RATING = 0-HR.

WL3320e.011415

1. GYPSUM WALL ASSEMBLY (UL/cUL CLASSIFIED U300, U400, OR V400 SERIES) (1-HR. OR 2-HR. FIRE-RATING) (2-HR. SHOWN).
2. [NOT SHOWN] WOOD STUDS TO CONSIST OF NOMINAL 2" x 4" LUMBER. STEEL STUDS TO BE MINIMUM 3-1/2" WIDE.
3. MAXIMUM 3" NOMINAL DIAMETER EMT, STEEL CONDUIT, OR STEEL PIPE SLEEVE (SCHEDULE 5 OR HEAVIER). SLEEVE TO BE RIGIDLY SUPPORTED ON PENETRATED SIDE OF WALL.
4. CABLE BUNDLE TO CONSIST OF ANY COMBINATION OF THE FOLLOWING :
 - A. MAXIMUM 7/C NO. 12 AWG POWER CABLE WITH PVC JACKET.
 - B. MAXIMUM 25 PAIR NO. 24 AWG TELEPHONE CABLE WITH PVC JACKET.
 - C. RG/U COAXIAL CABLE WITH PVC JACKET.
 - D. MAXIMUM 3/C NO. 8 AWG METAL CLAD CABLE.
 - E. MAXIMUM 3/C (+GRND) NO. 8 AWG METAL CLAD CABLE.
 - F. MAXIMUM 5/8" DIAMETER FIBER-OPTIC CABLE WITH PVC JACKET.
 - G. MAXIMUM 3/4" DIAMETER COPPER GROUND CABLE WITH OR WITHOUT PVC JACKET.
 - H. MAXIMUM 1-1/4" DIAMETER SINGLE OR MULTIPLE CONDUCTOR TYPE MI CABLE (SEE NOTE NO. 5 BELOW).
5. MINIMUM 5/8" DEPTH HILTI FS-ONE MAX OR FS-ONE INTUMESCENT FIRESTOP SEALANT, HILTI CP 606 FLEXIBLE FIRESTOP SEALANT, HILTI CP 601S ELASTOMERIC FIRESTOP SEALANT, HILTI CFS-S SIL GG FIRESTOP SILICONE SEALANT, OR HILTI CP 618 FIRESTOP PUTTY STICK.

- NOTES :**
1. MAXIMUM DIAMETER OF OPENING = 5".
 2. ANNULAR SPACE OUTSIDE SLEEVE= MINIMUM 0", MAXIMUM 1".
 3. ANNULAR SPACE INSIDE SLEEVE= MINIMUM 0".
 4. [NOT SHOWN] WHEN ANNULAR SPACE IS 0", APPLY MINIMUM 1/2" BEAD HILTI SEALANT OR PUTTY AT POINT OF CONTACT.
 5. A MINIMUM 1/8" SEPARATION SHOULD BE MAINTAINED BETWEEN MI CABLES AND ANY OTHER TYPE OF CABLE.
 6. CABLES TO FILL MINIMUM 0% TO MAXIMUM 45% CROSS-SECTIONAL AREA OF SLEEVE.
 7. SLEEVE MAY EXTEND UP TO 12" BEYOND WALL SURFACE.
 8. [OPTIONAL - NOT SHOWN] MINERAL WOOL (MIN. 4 PCF DENSITY) TIGHTLY PACKED AND RECESSED TO ACCOMMODATE FIRESTOP SEALANT OR PUTTY MAY BE USED AS BACKING MATERIAL.



Hilti Firestop Systems

HILTI, Inc.
Tulsa, Oklahoma USA (800) 879-8000

Sheet	2 of 2
Scale	-
Date	Jan. 14, 2015

Drawing No.

**WL
3320e**