

UL SYSTEM NO. W-L-2768

# NON-METALLIC PIPE THROUGH GYPSUM WALL ASSEMBLY

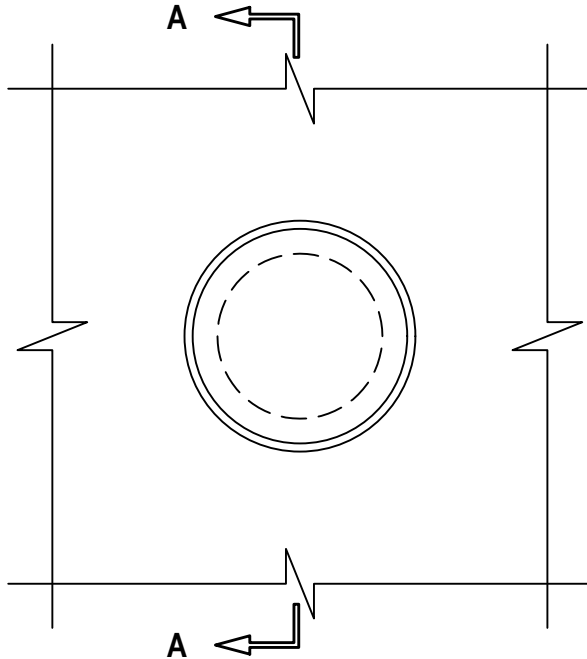
F-RATING = 1-HR.

T-RATING = 1-HR.

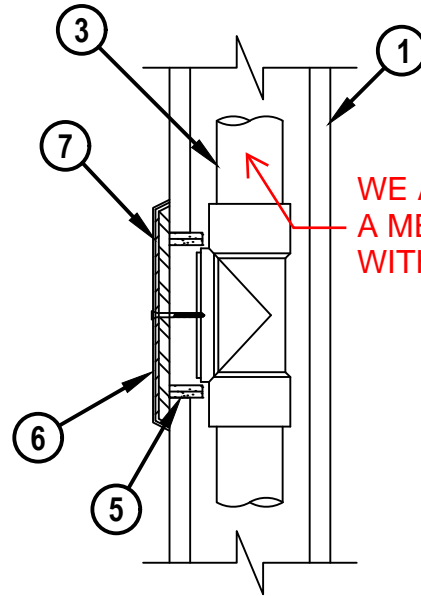
L-RATING AT AMBIENT = LESS THAN 1 CFM / SQ FT

L-RATING AT 400°F = LESS THAN 1 CFM / SQ FT

**FRONT VIEW**



**SECTION A-A**



WE A SYSTEM WITH A METALLIC PIPE NO WITH PVC

1. GYPSUM WALL ASSEMBLY (UL/cUL CLASSIFIED U400, V400, OR W400 SERIES) (1-HR FIRE-RATING).
2. [NOT SHOWN] STEEL STUDS TO BE MINIMUM 6" WIDE (SPACED MAX 24" OC).
3. MAXIMUM 3" NOMINAL DIAMETER PVC PIPE (SCH. 40, CELLULAR CORE) (CLOSED OR VENTED PIPING SYSTEMS). PIPE INSTALLED WITH PVC CLEAN-OUT TEE AND THREADED PLUG. THE THREADED PVC CLEAN-OUT PLUG IS CENTERED BEHIND THE OPENING IN GYPSUM BOARD. PIPE TO BE SUPPORTED TO STUDS INSIDE WALL WITH AT LEAST ONE STEEL STRAP.
4. [NOT SHOWN] MINIMUM 3/8" DIAMETER BEAD OF HILTI FS-ONE MAX INTUMESCENT FIRESTOP SEALANT OR CFS-S SIL GG FIRESTOP SILICONE SEALANT APPLIED TO CUT EDGE OF GYPSUM BOARD AROUND PERIPHERY OF OPENING. SEALANT USED TO HOLD FIRESTOP WRAP STRIP IN PLACE.
5. HILTI CP 648E FIRESTOP WRAP STRIP (NOMINAL 3/16" THICK x 1" WIDE) CONTINUOUSLY WRAPPED AROUND THE CIRCUMFERENCE OF THE OPENING, COVERING TWO TIMES, WITH ENDS BUTTED AND HELD IN PLACE WITH TAPE. FIRESTOP WRAP STRIP INSERTED INTO ANNULAR SPACE AND HELD IN PLACE WITH SEALANT (ITEM 4 ABOVE).
6. NOMINAL 6-1/2" DIAMETER STAINLESS STEEL ESCUTCHEON PLATE TO LAP 3/4" BEYOND PERIPHERY OF OPENING. COVER PLATE SECURED TO PVC CLEAN-OUT WITH STEEL SCREW THROUGH CENTER OF PLATE.
7. MINIMUM 1/8" THICK HILTI CP 617 FIRESTOP PUTTY PAD APPLIED IN ONE LAYER TO COVER INTERIOR SURFACE OF ESCUTCHEON PLATE PRIOR TO MOUNTING PLATE TO CLEAN-OUT CONNECTION.

**NOTE : MAXIMUM DIAMETER OF OPENING = 5".**



HILTI, Inc.  
Plano, Texas USA (800) 879-8000

Sheet	1 of 1
Scale	11/64" = 1"
Date	Aug. 31, 2020

Drawing No.

**WL  
2768b**

*Saving Lives through Innovation and Education*

WL2768b.083120