

UL/cUL SYSTEM NO. W-J-8102

MULTIPLE HVAC LINE SETS THROUGH CONCRETE WALL ASSEMBLY

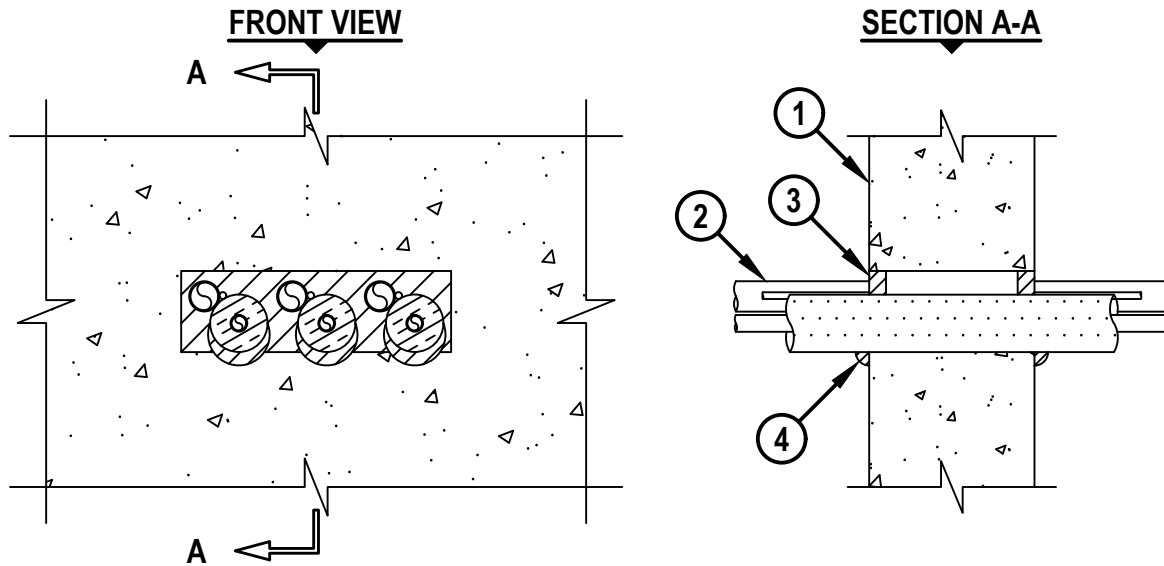
F-RATING = 1-HR. OR 2-HR.

T-RATING = 1/4-HR.

L-RATING AT AMBIENT = LESS THAN 1 CFM / SQ FT

L-RATING AT 400°F = LESS THAN 1 CFM / SQ FT

WJ8102a.111522



1. LIGHTWEIGHT OR NORMAL WEIGHT CONCRETE WALL OR CONCRETE BLOCK WALL ASSEMBLY.
 - A. MINIMUM 4-7/8" THICK CONCRETE FOR 1-HR. ASSEMBLIES.
 - B. MINIMUM 6-1/8" THICK CONCRETE FOR 2-HR. ASSEMBLIES.
2. ONE OR MORE HVAC LINE SETS CONSISTING OF THE FOLLOWING, BUNDLED TOGETHER :
 - A. MAXIMUM 1" NOMINAL DIAMETER COPPER PIPE OR TUBING (MAX. QTY. = 2).
 - B. ON ONE OF THE METALLIC PIPES OR TUBES WITH A MAXIMUM NOMINAL DIAMETER OF 1/2", A MAXIMUM 3/4" THICK AB/PVC PIPE INSULATION MAY BE INSTALLED.
 - C. MAXIMUM 4 PAIR NO. 18 AWG THERMOSTAT CABLE WITH PVC JACKET.
3. MINIMUM 5/8" DEPTH HILTI FS-ONE MAX INTUMESCENT FIRESTOP SEALANT.
4. MINIMUM 1/2" BEAD HILTI FS-ONE MAX INTUMESCENT FIRESTOP SEALANT APPLIED AT POINT OF CONTACT.

NOTES : 1. MAXIMUM SIZE OF OPENING = 10" x 3".
2. ANNULAR SPACE BETWEEN HVAC LINE SETS AND PERIPHERY OF OPENING = MINIMUM 0", MAXIMUM 1-1/2".
3. ANNULAR SPACE BETWEEN LINE SETS = MINIMUM 1/2", MAXIMUM 3/4".

HILTI
Hilti Firestop Systems

HILTI, Inc.
Plano, Texas USA (800) 879-8000

Sheet	1 of 1
Scale	9/64" = 1"
Date	Nov. 15, 2022

Drawing No.
WJ
8102a

Saving Lives through Innovation and Education