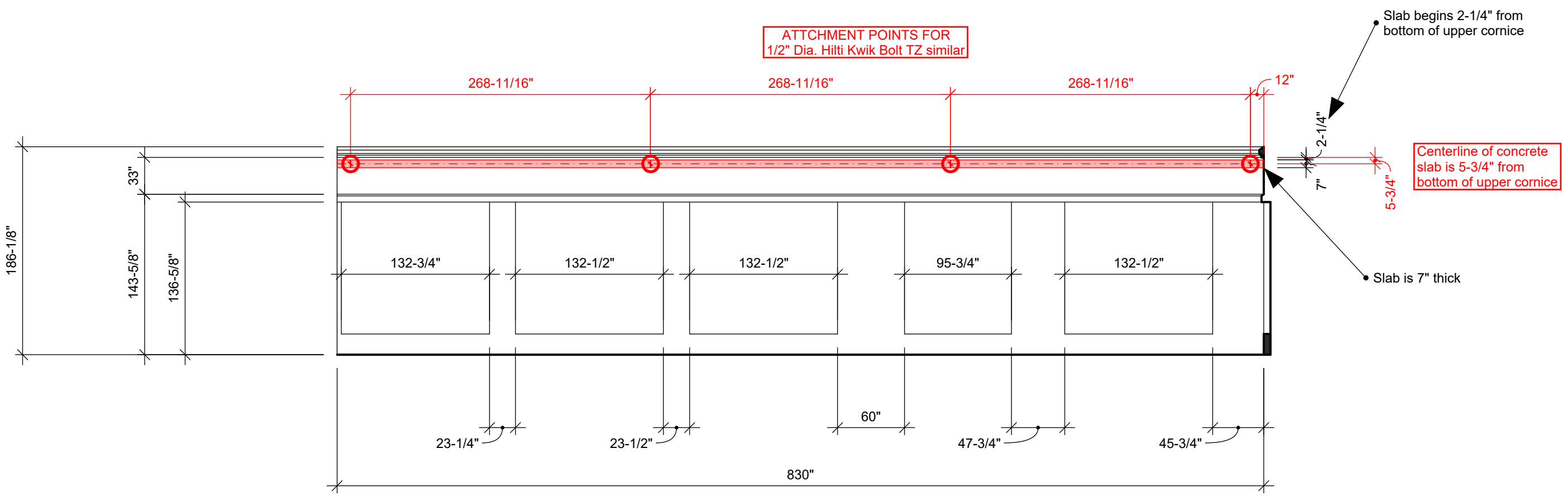
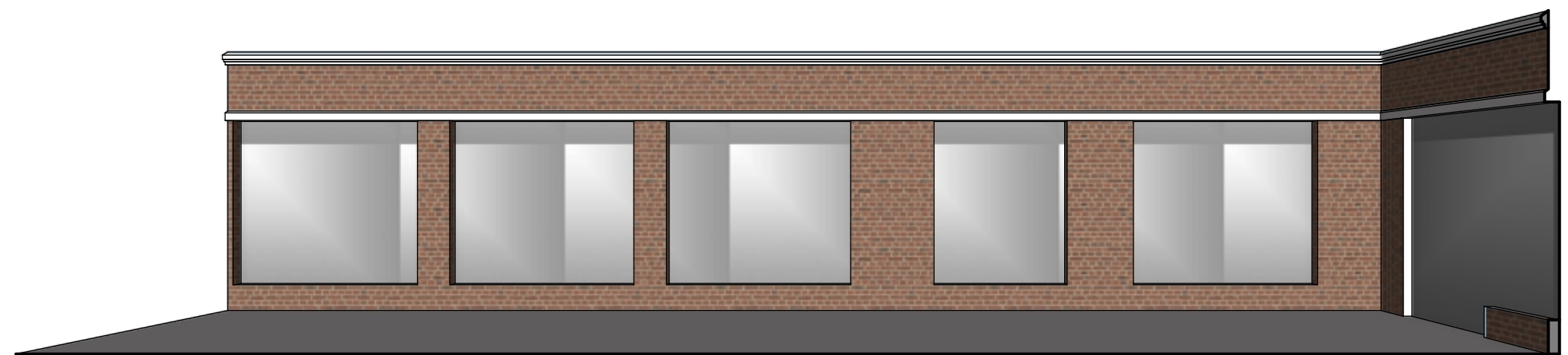


SHEET INDEX	
SHEET #	SHEET NAME
A.01	Plan View
A.02	East Wall
A.03	West Wall
A.04	South Wall
A.05	Attachment Play Layout
A.06	
A.07	
A.08	
A.09	
A.10	
A.11	
A.12	
A.13	
A.14	
A.15	

REVISION HISTORY			
REV	DESCRIPTION	DATE	BY

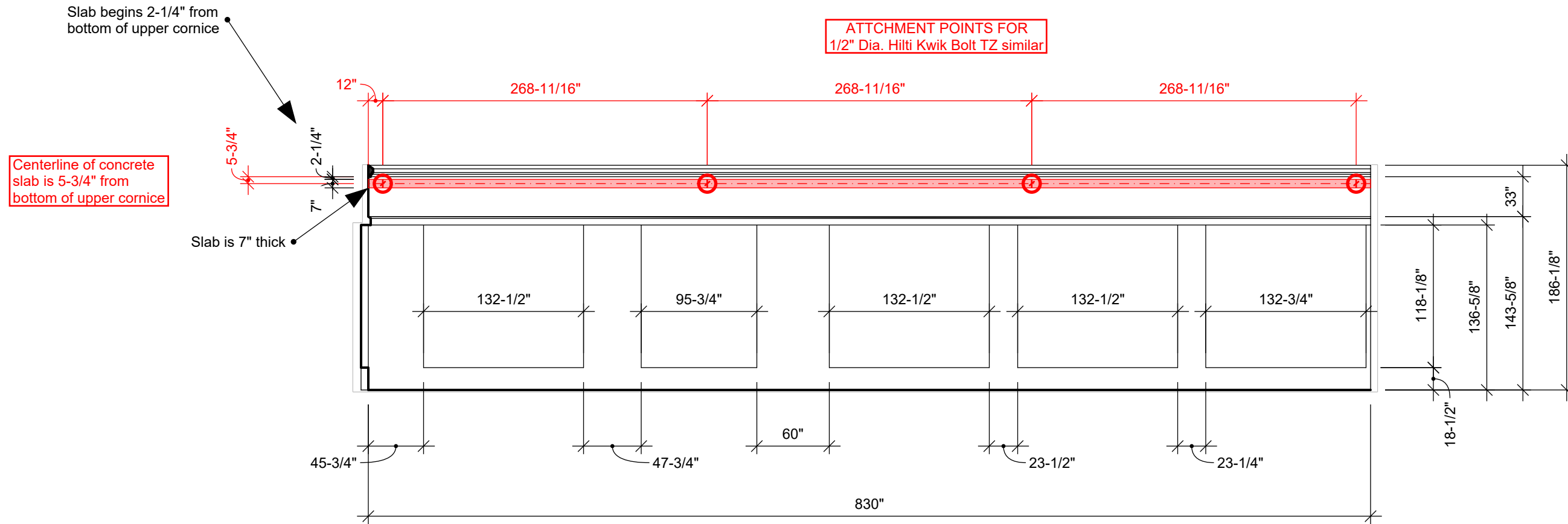
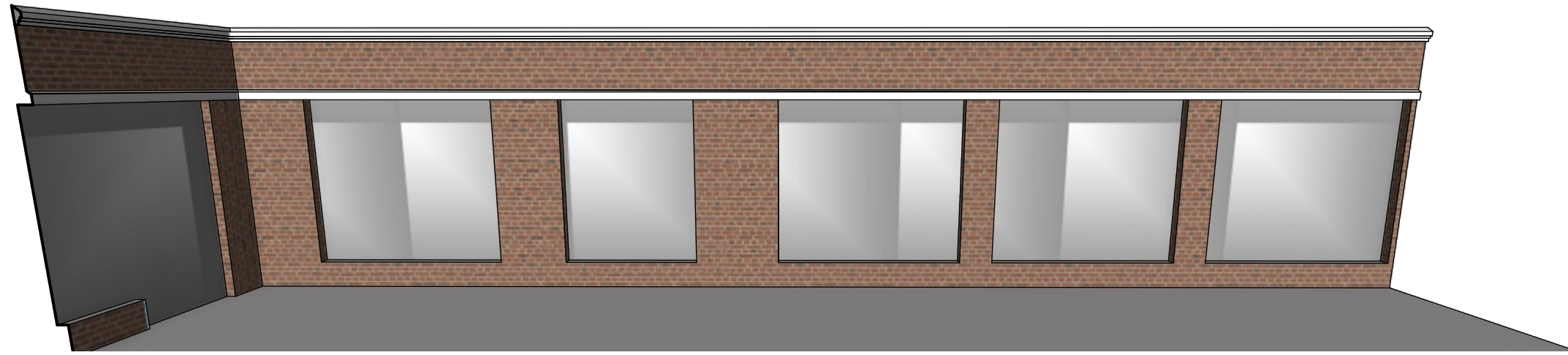


QUOTE NO.
36231

DRAWN BY
Matt C
SALES PERSON
Christian Williams
PROJECT COORDINATOR
Derek J

PAGE SCALE
NTS
ISSUE
05.20.26
RE-ISSUE
MM.DD.YY

SHEET NO.
A.02

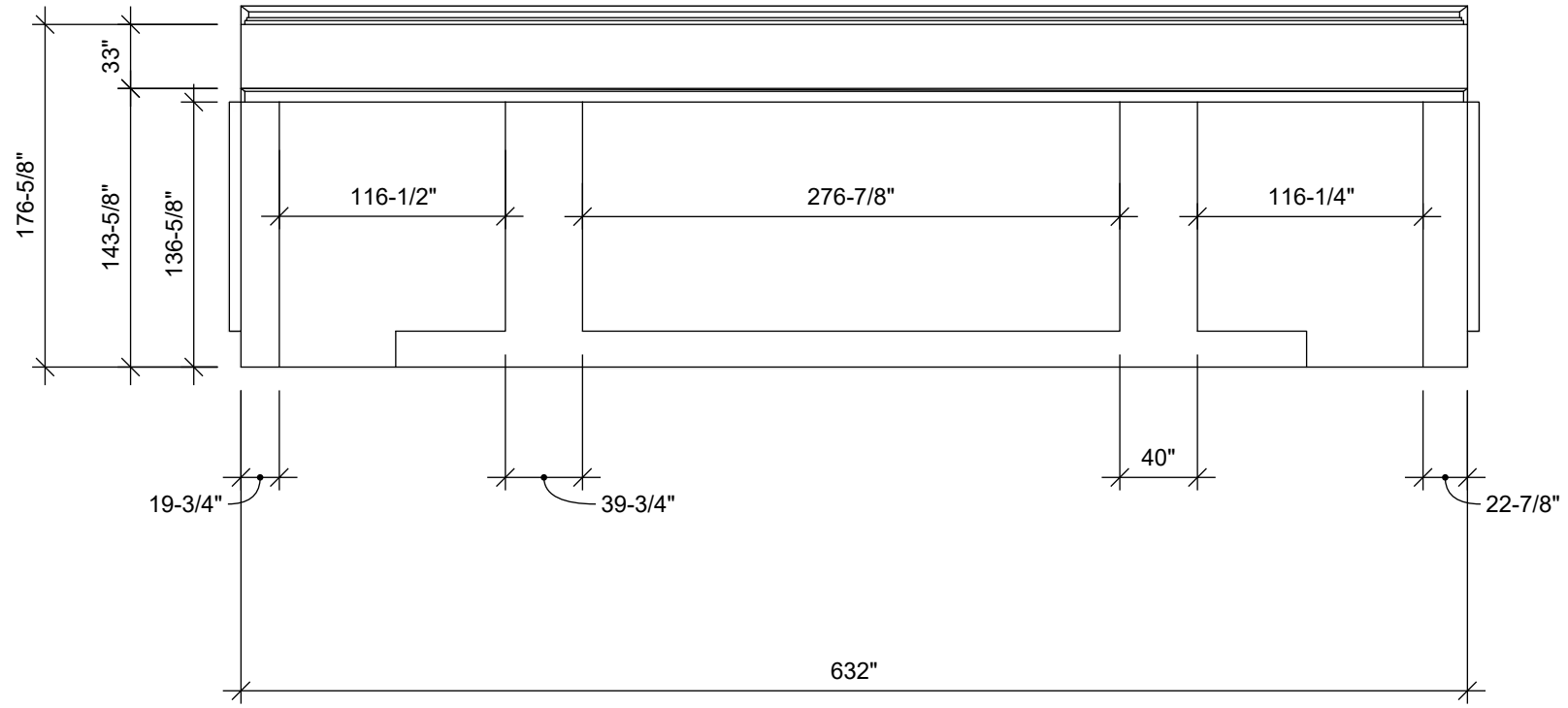
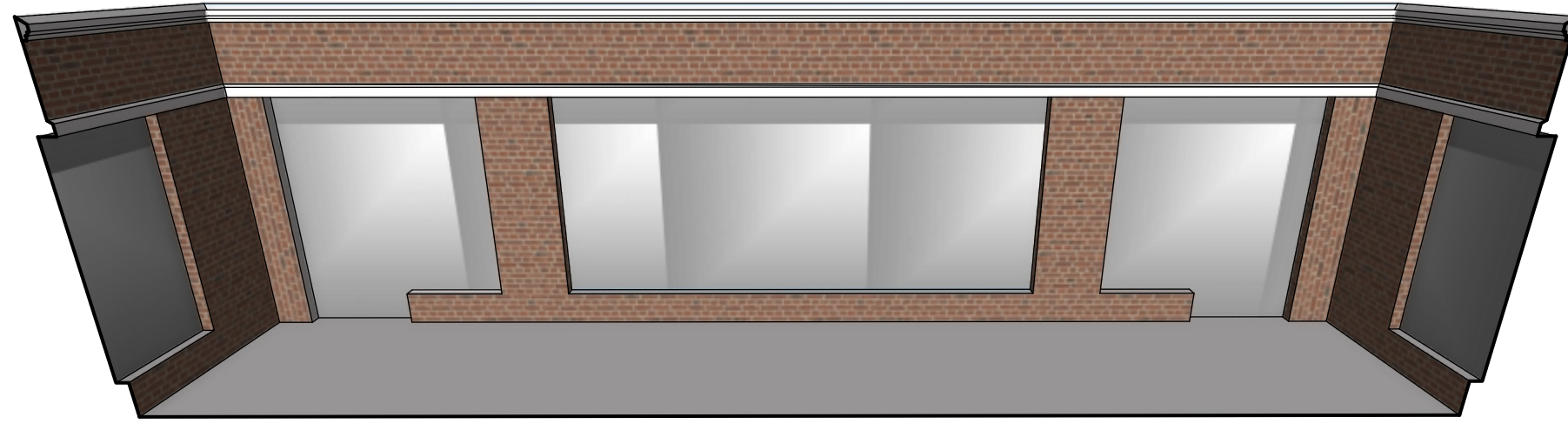


QUOTE NO.

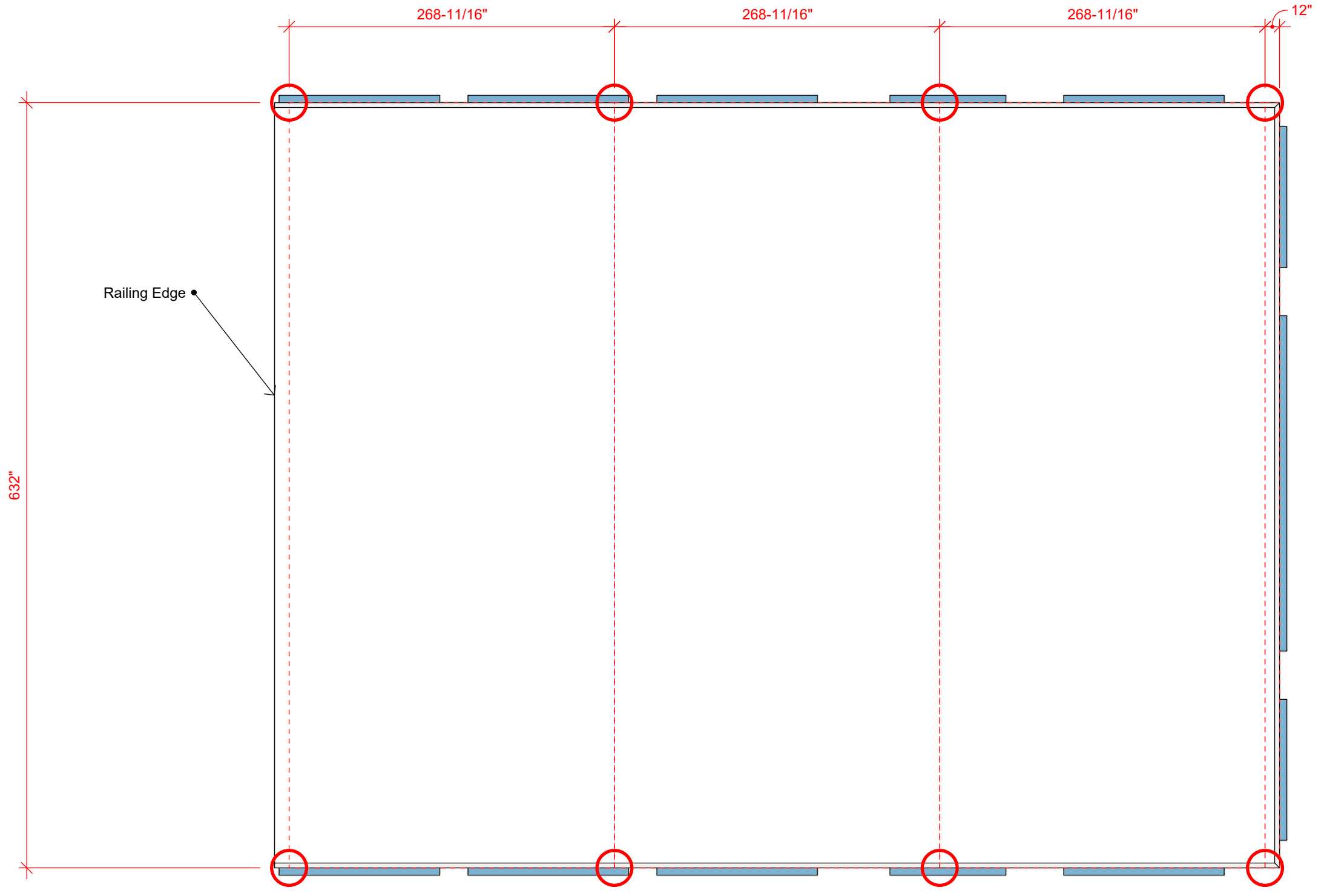
DRAWN BY
Matt C
 SALES PERSON
 Christian Williams
 PROJECT COORDINATOR
 Derek J

PAGE SCALE
 NTS
 ISSUE
 05.20.26
 RE-ISSUE
 MM.DD.YY

SHEET NO.
A.03



ATTCHMENT POINTS FOR
1/2" Dia. Hilti Kwik Bolt TZ similar



CLIENT

QUOTE NO.

DRAWN BY
Matt C
 SALES PERSON
Christian Williams
 PROJECT COORDINATOR
Derek J

PAGE SCALE
NTS
 ISSUE
05.20.26
 RE-ISSUE
MM.DD.YY

SHEET NO.
A.05